

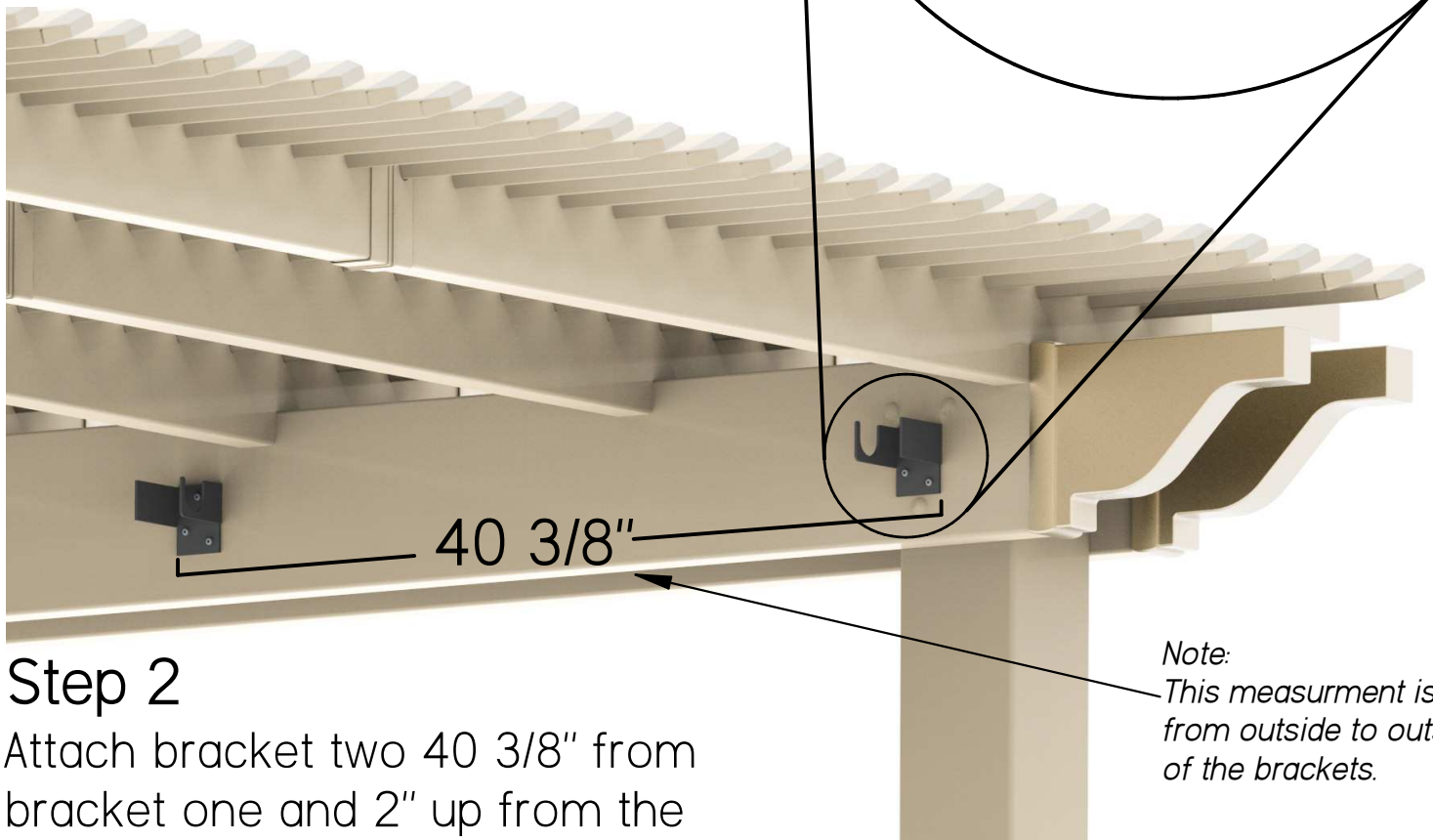
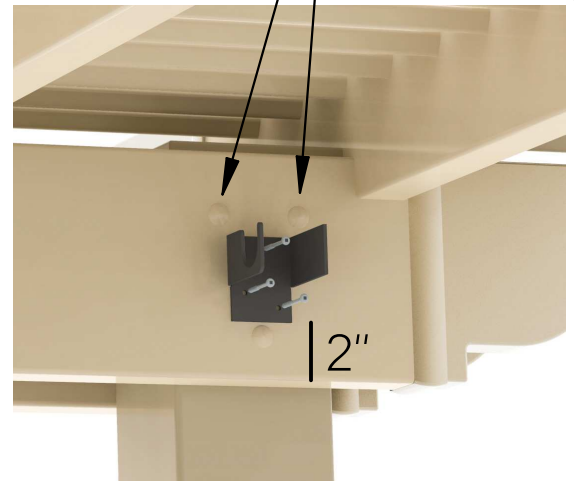


# Corner Curtains Installation Guide

## Step 1

Attach bracket one using three 2" stainless steel screws (included). Bracket one should be centered between the vinyl plugs with the lower edge of the bracket 2" from the bottom of the beam.

Center the bracket between the vinyl plugs.



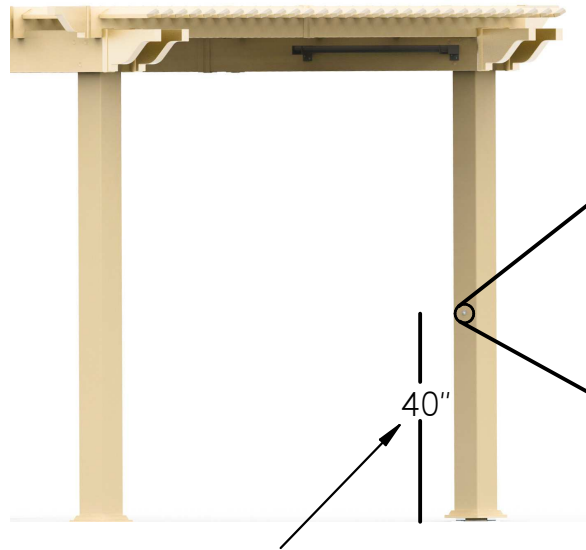
## Step 2

Attach bracket two 40 3/8" from bracket one and 2" up from the bottom of the beam.

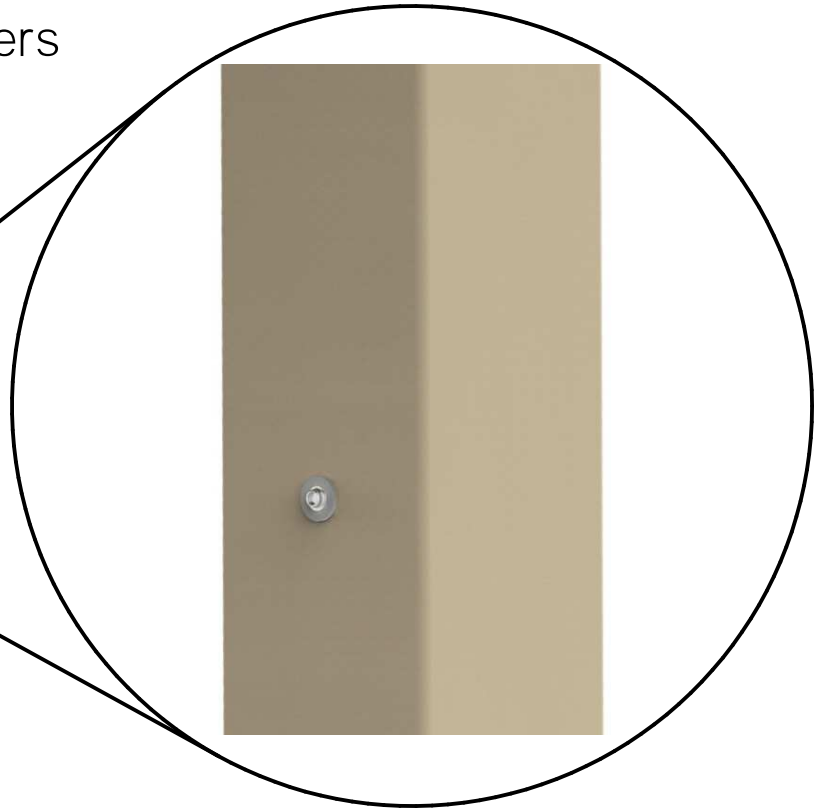
*Note:*  
This measurement is from outside to outside of the brackets.

### Step 3

Attach the adhesive snap receivers to the inside, center of the post.



Place the snap in the center of the post, 40" up from the bottom.



### Step 4

Insert the curtain rod through the loops in the top of the curtain and place the rod into the cutouts in the brackets. (example to the right)  
A curtain tie back is included with each curtain. This encircles the curtain and attaches to the adhesive snap on the post. (example below)

